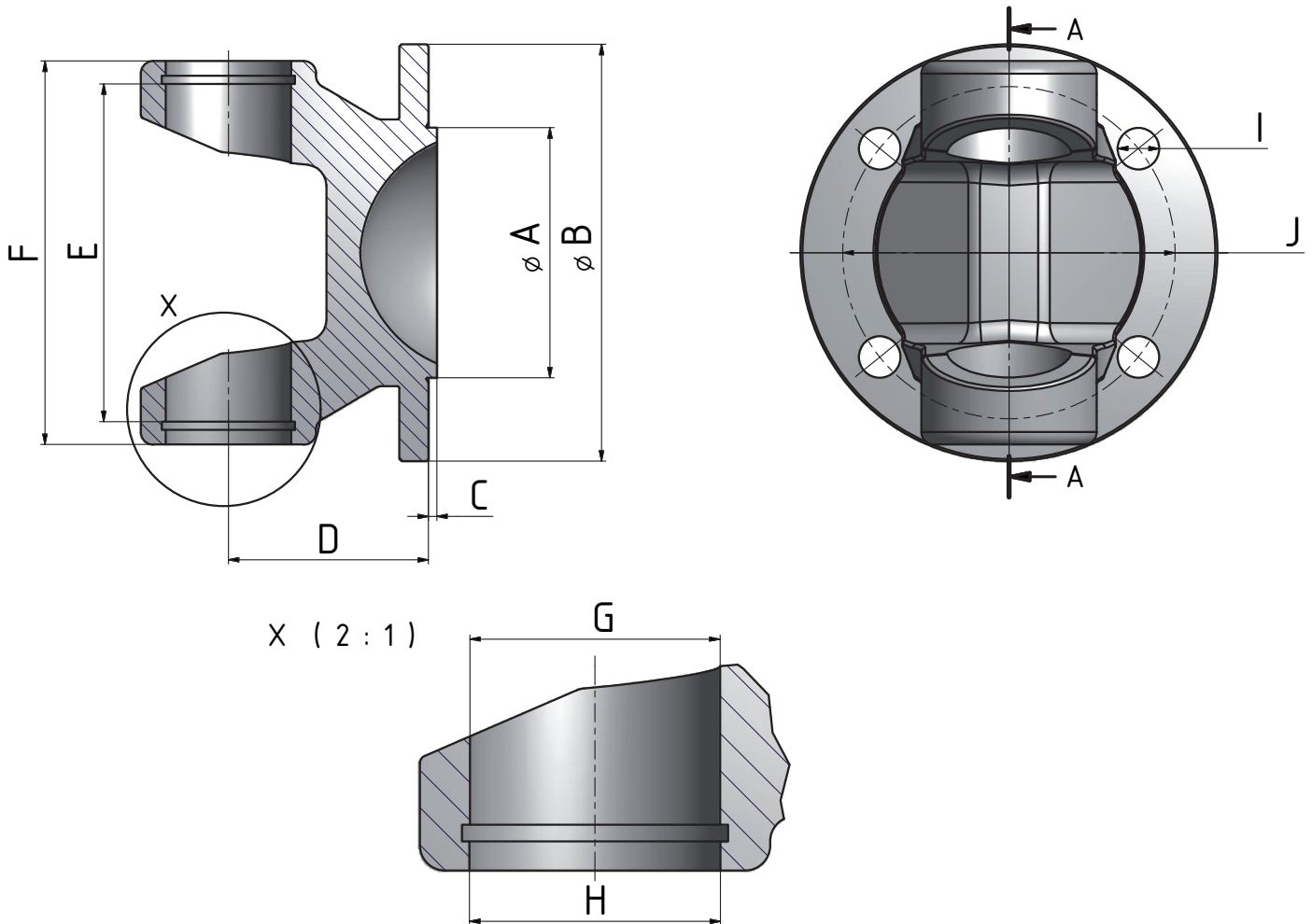




FLM-SAE



- A = _____
- B = _____
- C = _____
- D = _____
- E = _____
- F = _____
- G = _____
- H = _____
- I = _____
- J = _____